

This document shall be issued upon changes to the design of a GCT Product. It shall be distributed to all Interested Parties and shall be made available on the GCT Website.

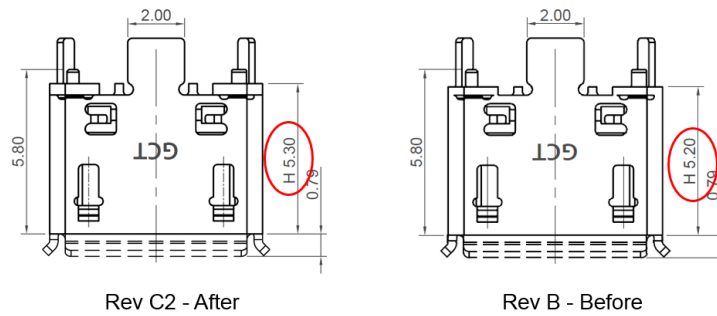
Date of Notice: (DD/MM/YYYY) **06/02/2018** Product Change Notice Number: **USB3160 C2 PCN 20180206**

Product Identifier: **USB3160-30-XXXX-X-C**

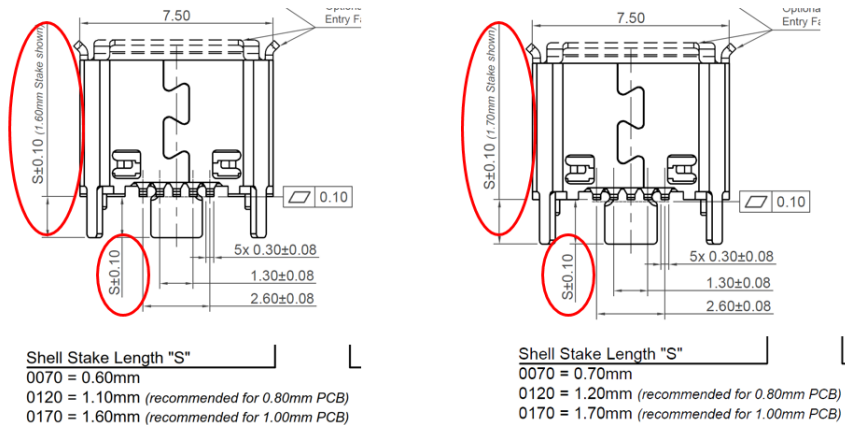
Drawing Revision Letter: **C2** Effective from date code/batch code: **Running change**

Description of Changes: with diagrams if relevant

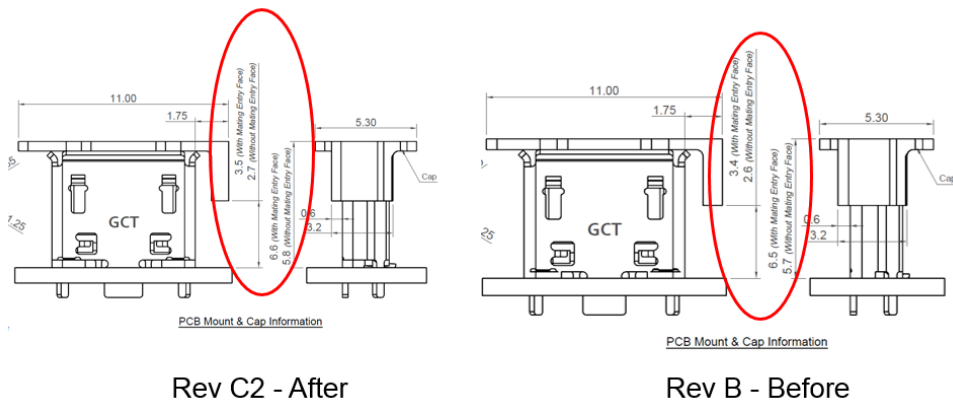
1. Change in profile height from 5.20mm to 5.30mm



2. Change in shell stake length from 0.70/1.20/1.70mm to 0.60/1.10/1.60mm



3. Change in PCB mount & cap information from 3.4/2.6 to 3.5/2.7 & 6.5/5.7 to 6.6/5.8.



Reason for Change:

Process improvement

Anticipated Impact on Form, Fit, Function or Reliability:

This is a minor change in dimensions for the profile height, shell stake length, plus, PCB mount & cap. There will be no impact to PCB layout or reliability.

Required Inventory Action:

None

Contact Information(s): (if blank, please visit www.gct.co or use the regional details below).

If there any questions, comments or suggestions regarding this notice, please contact GCT

| | | |
|---|---|---|
| GCT Europe (UK) +44 (0)1707 321122 sales@gct-europe.com | GCT Americas (USA) +1 978 208 1618 sales@gct-americas.com | GCT Asia-Pacific (HK) +852 2578 9030 sales@gct-apac.com |
|---|---|---|